



LEADCNC

Serial No: 1

Name: CNC Arbitrary angle single-head cutting saw

Product Information

Model: Ruby 600



Ruby 600 – Suitable for Cutting Aluminum Profiles at Arbitrary Angle.

Wide Application:

Designed for cutting various types of aluminum profiles with flexibility to handle angles ranging from 0° to 330° on cross-sections, offering broad applicability.

High Precision and Durability:

Equipped with carbide saw blades, ensuring high processing precision and excellent durability.

Simultaneous Multi-Profile Cutting:

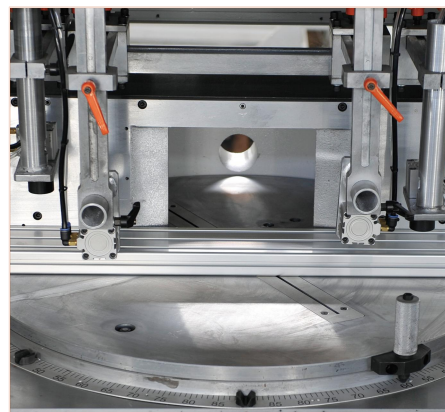
Capable of cutting multiple profiles at once within an adjustable range of 90° ± 15°.

Compact Design:

The machine features a compact structure, requiring minimal floor space.



cut at 90'



cut at 45'



LEADCNC

Serial No:1

Name: CNC Arbitrary angle single-head cutting saw

Model: Ruby 600

Product Specification

Machining Specifications	Parameter Value
Pivoting range, manually	22.5° to the left and right
Tilting range	from 90° to 45°
Saw blade size	φ600×4×φ30 Z=140
Saw blade speed	2800r/min
Saw cut width	45°: MAX 250mm 90°: MAX 330mm
Saw cut height	MAX 195mm
Measuring range	0-3200mm (CNC) 320-3700mm (digital display)
General Parameters	Parameter Value
Power supply	380V/50Hz
Power	4.5kw
Pressure	0.5~0.8MPa
Gas consumption	30L/min
Weight	500kg
Overall dimensions(L*W*H)	8700×1500×1670mm (CNC , size with rack) 9050×1500×1670mm (digital display, size with rack)

LEADCNC Machinery Co., Ltd

www.leadcnc.com

The right to make technical alterations is reserved.



LEADCNC

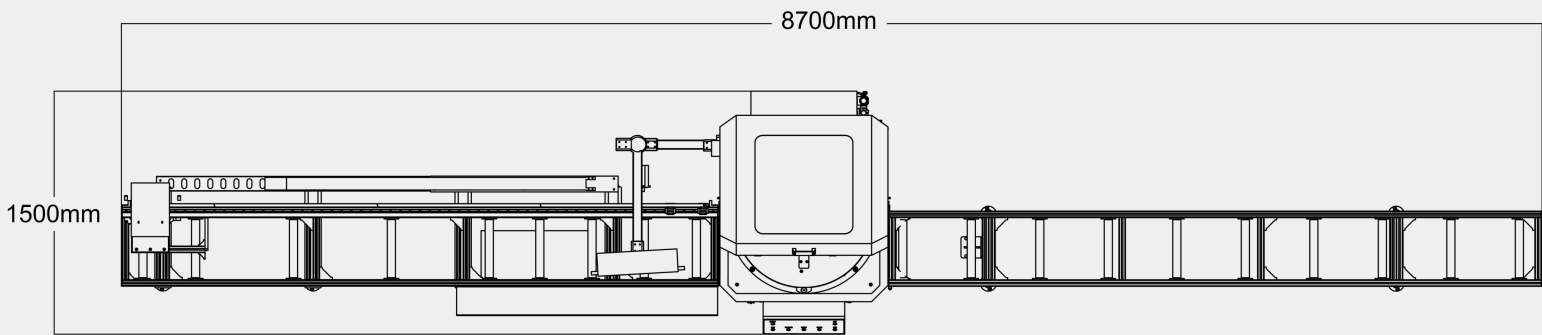
Serial No:1

Name: CNC Arbitrary angle single-head cutting saw

Model: Ruby 600

Product Specification

LAYOUT



LEADCNC Machinery Co., Ltd

www.leadcnc.com

The right to make technical alterations is reserved.