



LEADCNC

Serial No: 1

Name: Laser-Equipped Cutting and Milling Machining Center

Product Information

Model:UX150



UX150 – A high performance Laser-Equipped Cutting and Milling Machining Center.

Designed for Milling, Drilling, Cutting, and Laser Machining operations on the heads and ends of aluminum and light alloy profiles.

Automatic Loading and Feeding System:

Linear Direct Drive Motor Technology.

Multi-Functional Machining Modules:

Milling Module:

The 4-axis CNC milling module is equipped with four electric spindles, allowing simultaneous machining on multiple surfaces of the profile without requiring reorientation. This greatly enhances efficiency and precision.

Cutting Module:

The primary cutting module includes three 550 mm diameter saw blades(Fixed angles:45°Left/45°Right and 90°) with three-axis CNC-controlled movement. The cutting module can operate in synchronization with the milling module, enabling simultaneous cutting and machining for maximum productivity.

Laser Processing:

The E200 features two high-precision laser units, designed for marking and assisting in milling operations, substantially increasing processing speed.



LEADCNC

Serial No: 1

Name: Laser-Equipped Cutting and Milling Machining Center

Product Information

Model: UX150

Automatic Unloading System:

The UX150 includes an automatic unloading mechanism that transfers finished profile segments from the cutting unit to the unloading magazine. The transverse belt magazine supports profiles up to 4000 mm in length (customized for longer profiles).

Fully Enclosed Central Cabinet:

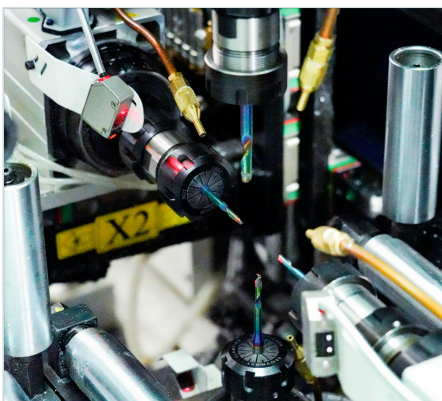
All working units are enclosed within the central cabinet, ensuring high standards of soundproofing and comprehensive operator safety.

Automatic Labeling:

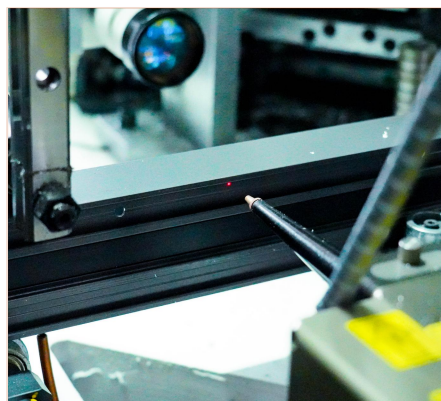
Equipped with a servo motor-driven automatic labeling system, E200 minimizes manual intervention and maximizes operational efficiency.

Smart Integration and High Efficiency:

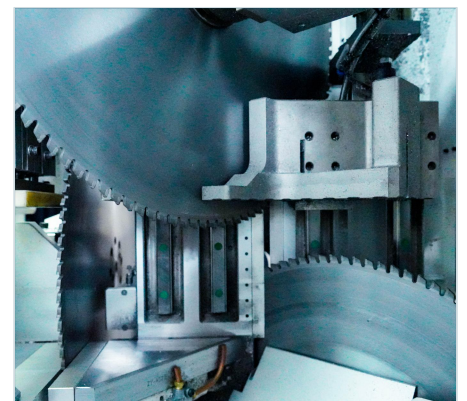
The UX150 enables the simultaneous operation of its four spindles and cutting processes, drastically reducing machining time. The integration of laser and mechanical machining modules achieves levels of speed and precision unattainable by traditional equipment.



Four Electric Spindles



Laser Unit



Cutting Unit



LEADCNC

Serial No:1

Name: Laser-Equipped Cutting and Milling Machining Center

Model: UX150

Product Specification

Machining Specifications	Parameter Value
Max. Profile Cross-Section	W*H = 150 × 150 mm
Min. Profile Cross-Section (depending on gripper position)	W*H = 30 × 20 mm
Raw profile length	L=600 – 7,000 mm
Finished part length	L=300 – 7,000mm
Feed Magazine	Parameter Value
Number of swing arms	4
Mounting positions	7
Infeed	Parameter Value
Drive	Linear
Motorized gripper adjustment	Y/Z
Gripper rotation	Standard
Residual piece measurement	Optional
Residual piece processing	Fully automatic
Machining Station	Parameter Value
Axes	4
Router spindles	4 (servo-assisted)
Laser	2 (Milling and engraving)

LEADCNC Machinery Co., Ltd

www.leadcnc.com

The right to make technical alterations is reserved.



Product Specification

Model: UX150

Saw	Parameter Value
Axes	3
Saw blades (diameter)	3*550mm
Sawing angles	+45° , -45° , 90°
Outfeed clamping carriages	Parameter Value
Axis	1
Cycle operation(short parts)Laser	Optional

Outfeed conveyor	Parameter Value
Lifting station	YES
Outfeed conveyor width	4,000 mm (can be extended)

General Parameters	Parameter Value
Power supply	400V/50Hz
Power	25kw
Pressure	0.5~0.8Mpa
Gas consumption	300L/min
Weight	8,900kg
Overall dimensions	19,500×4,900×2,300mm (including workbenches on both sides)

LEADCNC Machinery Co., Ltd

www.leadcnc.com

The right to make technical alterations is reserved.



LEADCNC

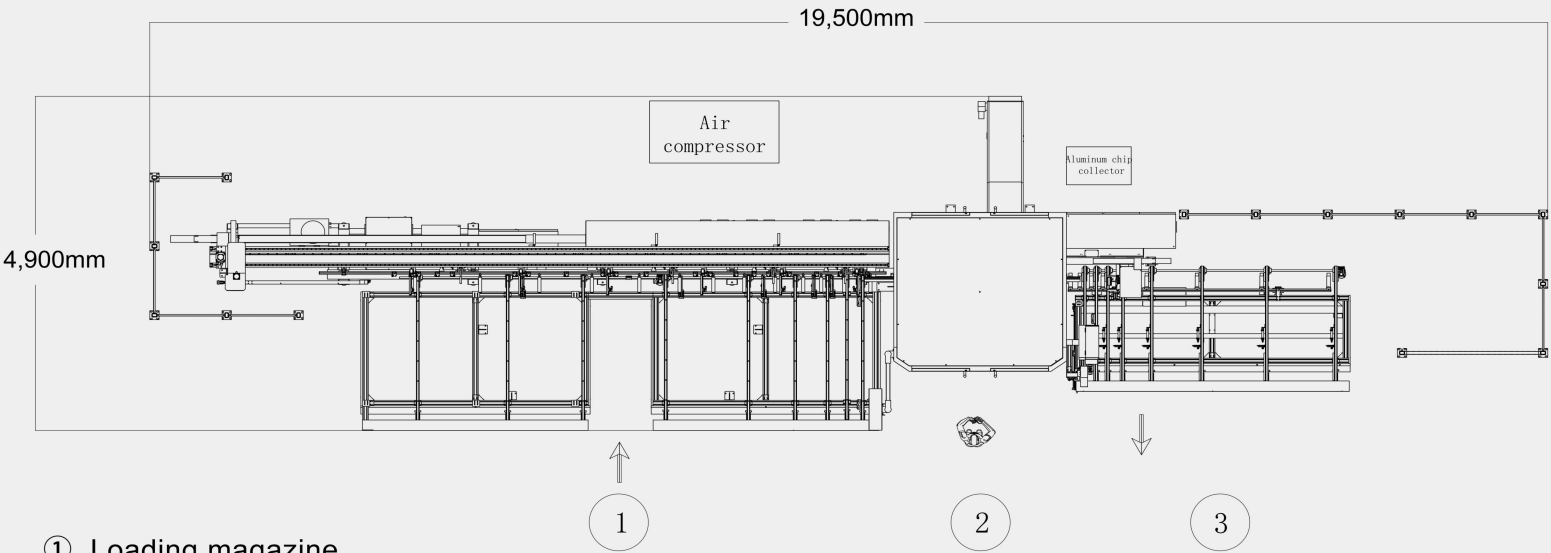
Serial No: 1

Name: Laser-Equipped Cutting and Milling Machining Center

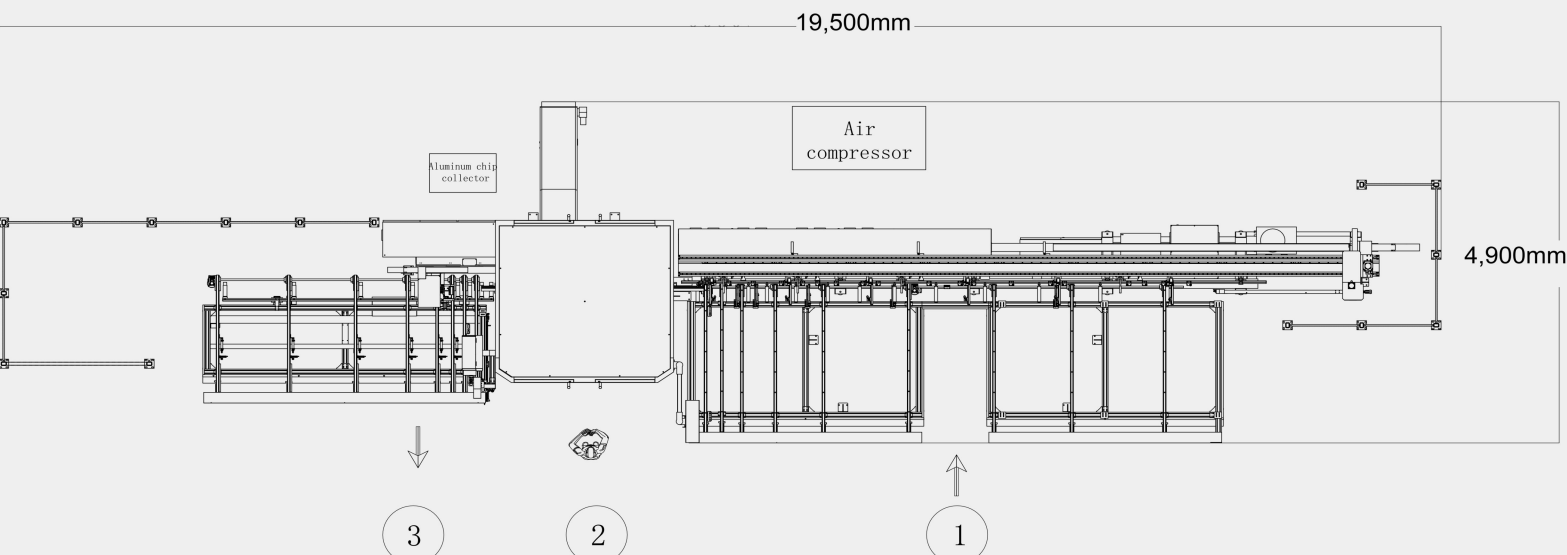
Product Specification

Model: UX150

LAYOUT



- ① Loading magazine
- ② Machining center
- ③ Outfeeding section



- ① Loading magazine
- ② Machining center
- ③ Outfeeding section

LEADCNC Machinery Co., Ltd

www.leadcnc.com

The right to make technical alterations is reserved.



LEADCNC

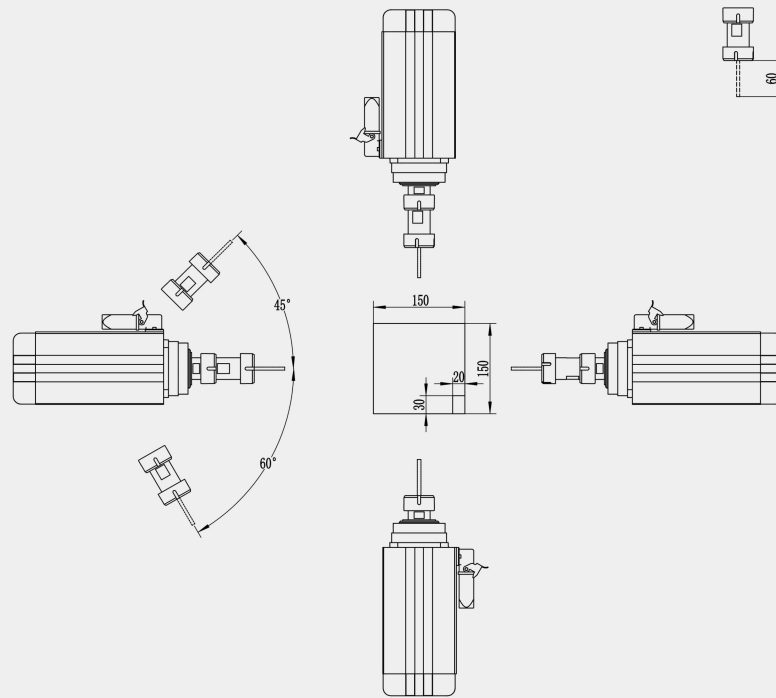
Serial No: 1

Name: Laser-Equipped Cutting and Milling Machining Center

Model: UX150

Product Specification

MACHINING AREA OF THE MILLING UNIT



LEADCNC Machinery Co., Ltd

www.leadcnc.com

The right to make technical alterations is reserved.